



Oil tanker 17000 ton

General

Yard no.	
Delivery date	
Basic functions	employ to deliver the gasoline which flash point to be smaller than 60 c
Classification	CCS CSA5/5 OIL TANKER,F.P≤60C ICE CLASSB CSM MCC

Dimensions

Length o.a.	150.00 m
Beam o.a.	23.00 m
Depth at sides	12.5 m
Draught aft	8.80 m
Gross tonnage	11619
Net tonnage	4804

Tank capacities

Fuel oil	: 1070 m3
Fresh water	:150 m3
Ballast	:7190 m3
Cargo	:19300 m3

Performances (trials)

Speed	:13.0 knots
-------	-------------

Propulsion System

Main engines	8PC2-6L
Total power	4400 KW at 520 rpm
Gearboxes	GW7085 R.r 1:3.0
Propulsion	:4 blades propeller D= 4.3m ,Cu3 nickel aluminum bronze

Auxiliary equipment

Generator sets	: 3x CCFJ450J
Capacity	: 3X 550 KW/1500rpm
EmergencyGenerator sets	:1 CCFJ120Y
Capacity	:155 KW/1500 rpm
Cargo oil pump	:2HM9800-150 (750 m3/h)
	:2HM7000-160 (750 m3/h)
Stripping pump	:2hm1400-50 (70 m3/h)
Tank cleaning pump	:CLH125-80-7 (160 m3/h)

Deck lay-out

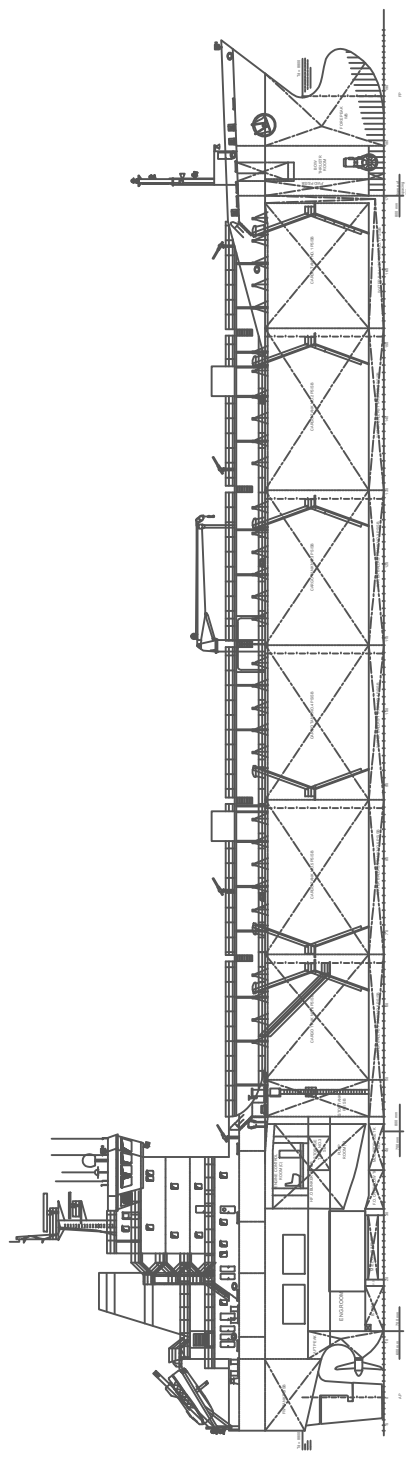
320 KN.m Electro-hydraulic steering engine
 φ58 Assembling hydraulic pressure anchor machine
 75 KN hydraulic pressure mooring winch
 14 KN electric single-arm rotary boat/raft hanger
 2x15 KN aerodynamic accommodation ladder winch
 The launching appliance for free fall lifeboat
 40 KN hydraulic oil pipe crane

Accommodation

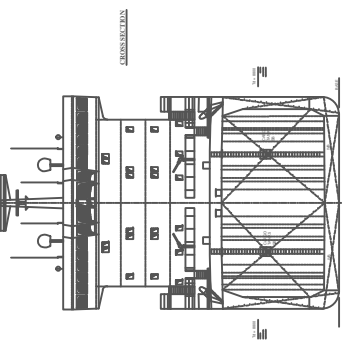
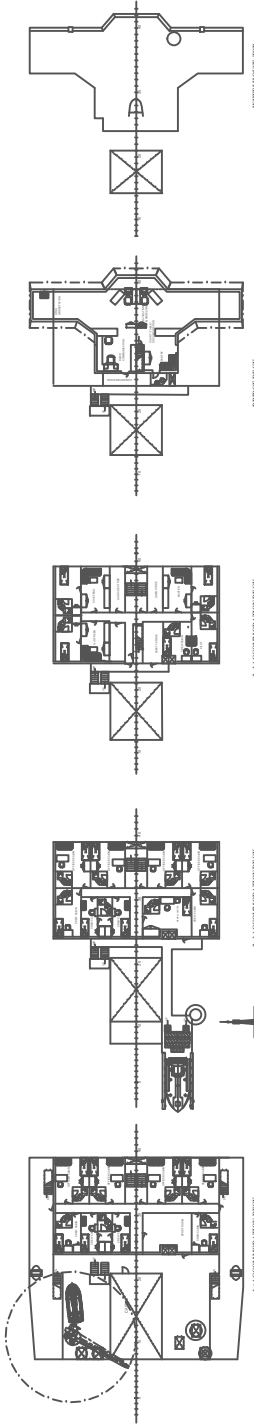
25 persons

Nautical and communication equipment

Radar	: Furuno
GPs	: Furuno
Echosounder	Furuno
Navtex	: Furuno
VHF radio	2x Sailor
SSB radio telephone	Furuno



PROFILE



PRINCIPAL DIMENSION

- LENGTH OVERALL 150,00 m
- LENGTH BETWEEN PERPENDICULARS 140,40 m
- BREADTH 23,00 m
- DEPTH 12,5 m
- DRAFT DESIGN 8,80 m
- DRAFT MAXIMUM 10,00 m
- CARGO TANK VOLUME 19,800 m³
- 13,000 m³
- MAIN ENGINE POWER 4400 kw
- *CSA † OIL TANKER, F.P. 560°C ICE CLASS
- *CSM MCC

AAM
Amsterdam/Alexandria Marine

Resha Spijter dreef
198
2132 PZ Hoofddorp
The Netherlands
Tel. (0)23 3547310

Title: GENERAL-ARRANGEMENT		Proj.No: AM201610
Scale: 1:100		Draw.No: AM201610-000-1
Drawn: A 0	REV: 1	Date: 17-10-2016
Checked: A 0	Class: Marine	

This drawing is prepared by computer and printed on paper. It is not to be used for construction without the approval of the designer.